

Quick Start Guide

We highly recommend that you to follow along this video tutorial to assemble your bike. Simply scan the QR code below.



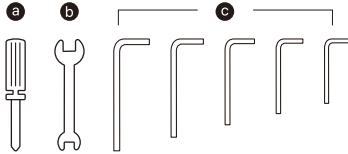
Or visit:
velotricbike.info/packer1

This guide will get your new bike set up and ready to ride.

- **What's in the box**
- **Assembly and Installation**
- **Before Riding**
- **Start Riding**
- **Bike Diagram**

What's in the box

MANUAL & TOOLS



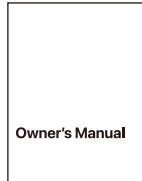
- a** Phillips Screwdriver
- b** M15/M8 Wrench
- c** M6/M5/M4/M3/M2.5 Allen Key



Find My Manual

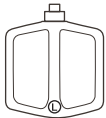


Quick Start Guide



Owner's Manual

PEDAL



Left Pedal



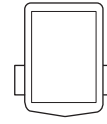
Right Pedal

What's in the box

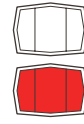
ACCESSORIES



Front Light



Display



Front / Rear Reflector

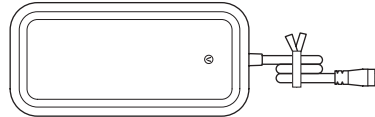


Bell

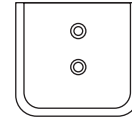


Cable Binder

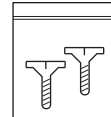
CHARGER



Charger



Charger mount

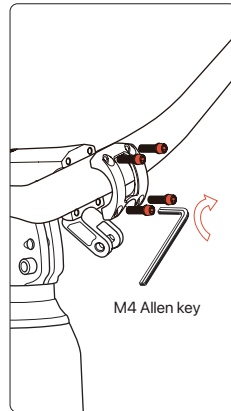
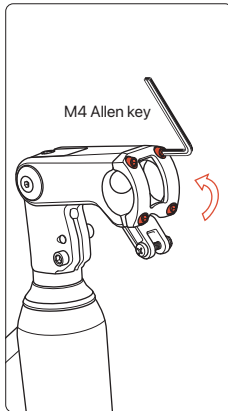
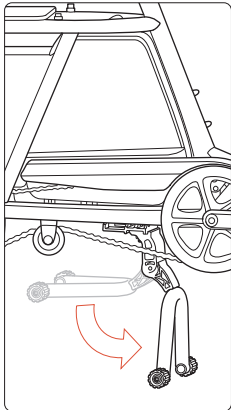


Bolt x 2

Step 1 Handlebar

Assembly and Installation

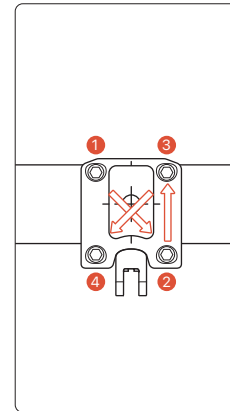
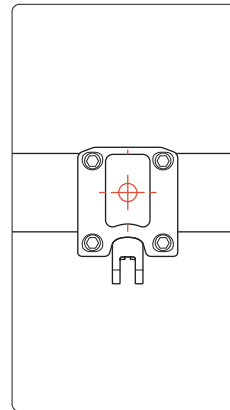
1. Put down the kickstand and ensure that it securely supports the bike on a hard, flat, and stable surface.
2. Remove the four faceplate bolts on the clamp with the M4 Allen key. Set the bolts aside.
3. Position the handlebar correctly on the stem, and tighten the bolts partway with the M4 Allen key.



Assembly and Installation

Step 1 Handlebar

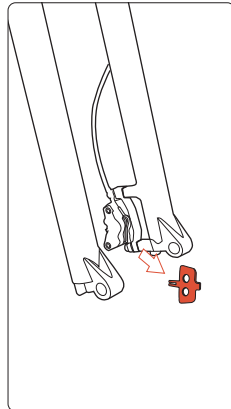
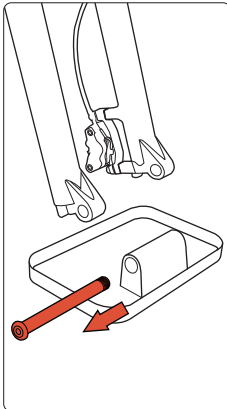
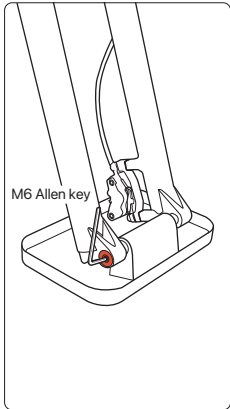
4. Adjust the handlebar by aligning the reference marks.
5. Tighten each of the faceplate bolts with the M4 Allen key by a quarter turn, following an "X" pattern. Torque range: 6 Nm to 8 Nm



Step 2 Front Wheel

Assembly and Installation

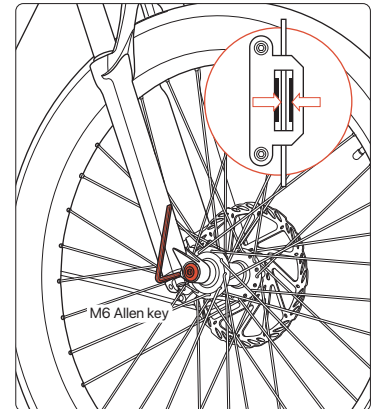
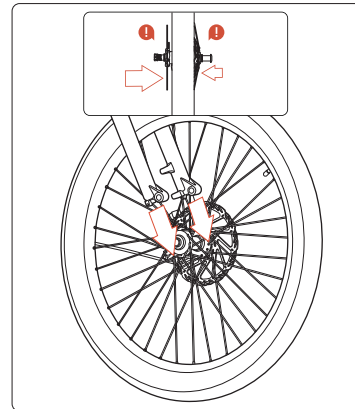
1. Take out the front wheel, and remove the protective cover.
2. Loosen the Thru Axle with the M6 Allen key on the suspension fork.
3. Manually remove the Thru Axle and the suspension fork protector plate.
4. Take out the brake pad spacer from the front brake caliper.



Assembly and Installation

Step 2 Front Wheel

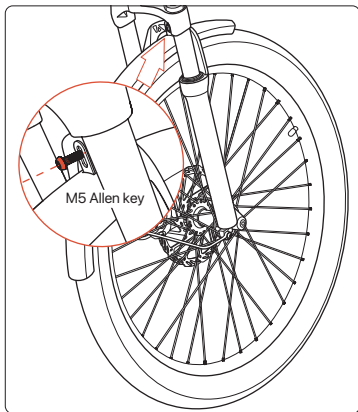
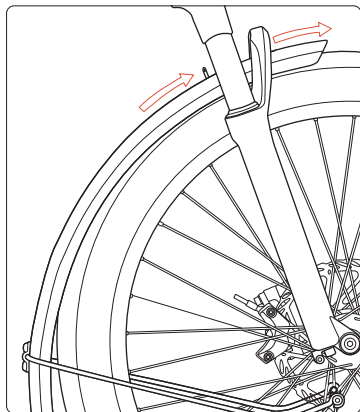
5. Gently slot the front wheel into the suspension fork.
 6. Insert the Thru Axle and tighten it with the M6 Allen key. Torque range: 14 Nm to 15 Nm
 7. Ensure the rotor is well-positioned (with gap) inside the brake caliper.
- ▲ Caution**
1. Make sure the brake rotor is aligned with the brake caliper pads, so the brake rotor can easily enter the caliper without any friction.
 2. Be careful not to accidentally squeeze the brake levers before the front wheel is installed. Otherwise, you may cause misalignment on your hydraulic brakes.



Step 3 Front Fender

Assembly and Installation

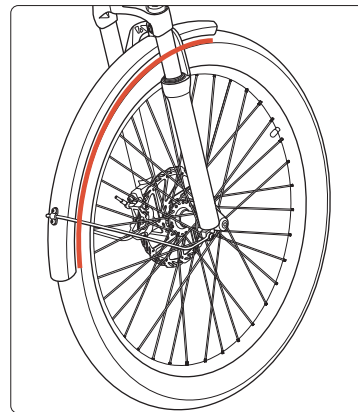
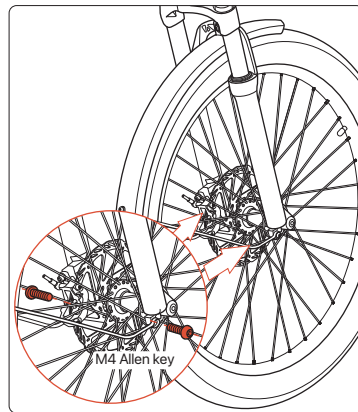
1. Loosen the bolt that secures the front fender to the fork crown with the M5 Allen key. Set it aside.
2. Snap the fender arms into the front fender. Pass the front fender into position from the back of the front wheel until the fender metal mounting tab is against the mounting point at the rear of the fork crown.
3. Loosen the two bolts on the fork legs with the M4 Allen key.
4. Place a fender arm eyelet over the mounting point on the fork leg and thread in the bolt by hand. Tighten the bolt partway with the M4 Allen key. Repeat the same with the other fender arm.



Assembly and Installation

Step 3 Front Fender

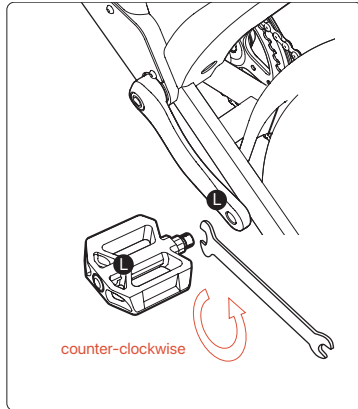
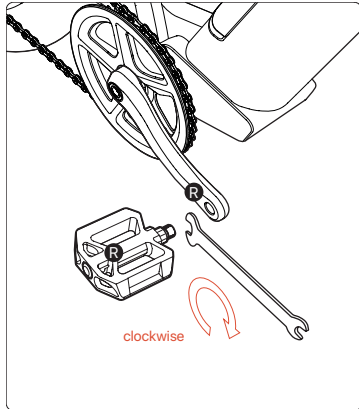
5. Ensure the front fender is centered and has clearance around the front wheel. Adjust by hand if needed. Make sure no foreign objects are stuck in the clearance.
6. Tighten the three bolts with the M4 Allen key and the M5 Allen key. Torque range: 6 Nm to 8 Nm
7. Check to ensure that the front wheel rotates smoothly and the tire does not touch the front fender.



Step 4 Pedals

Assembly and Installation

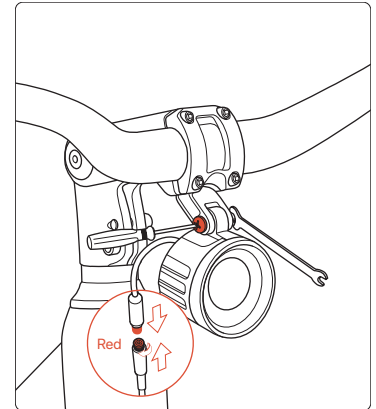
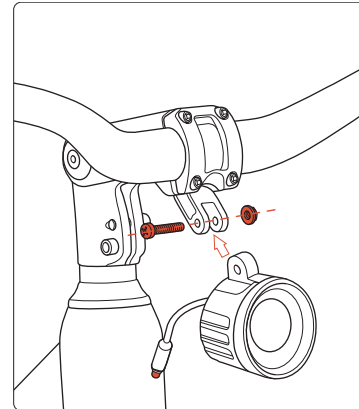
1. Take out the two pedals from the PEDAL box. Identify each pedal by the sticker on the pedal axle: "L" indicates the left pedal and "R" indicates the right pedal.
2. Install the right pedal. Carefully thread in the pedal with an M6 Allen key, turning clockwise. Securely tighten the pedal with a 15mm wrench. Torque range: 35 Nm to 40 Nm
3. Install the left pedal. Carefully thread in the pedal with an M6 Allen key, turning counterclockwise. Securely tighten the pedal with a 15mm wrench. Torque range: 35 Nm to 40 Nm



Assembly and Installation

Step 5 Front Light

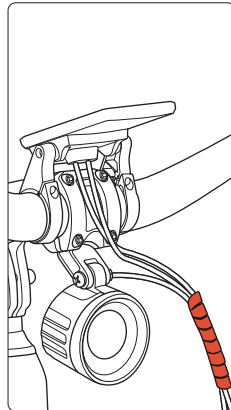
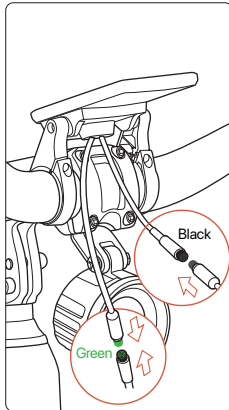
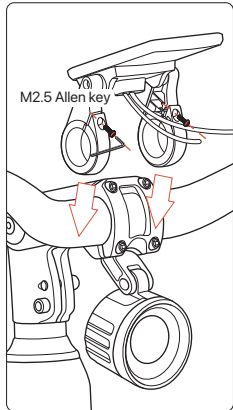
1. Take out the front light from the ACCESSORIES box, and attach it to the stem mount.
2. Fix the light to a desired angle with a Phillips screwdriver and M8 wrench. Torque range: 2.5 Nm to 5.5 Nm
3. Connect the cable as shown in the illustration below.



Step 6 Display

Assembly and Installation

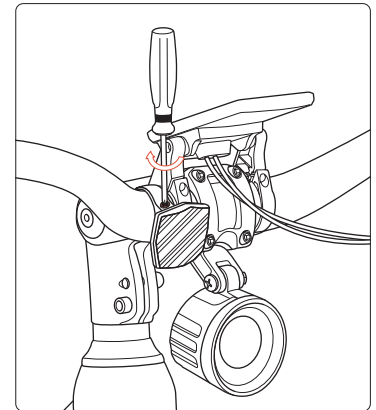
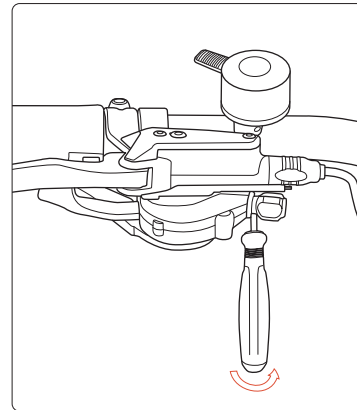
1. Take out the display and cable binder from the ACCESSORIES box. Remove the bolts on the display mount with the M2.5 Allen key.
2. Install the display onto the handlebar, adjust it to an angle you can view easily on the seat
3. Connect the display cables as shown in the illustration below.
4. Wrap the display cables together with the connected front light cable with a cable binder.



Assembly and Installation

Step 7 Bell and Front/Rear Reflector

1. Take out the bell from the ACCESSORIES box. Remove the bolt on the bell mount with a Phillips screwdriver. Install the bell, adjust the bell to an appropriate angle, and tighten the bolt. Torque range: 2.5 Nm to 5.5 Nm
2. Take out the front reflector from the ACCESSORIES box. Remove the bolt from the front reflector mount and install the front reflector. Then adjust the front reflector to an appropriate angle and tighten the bolt. Torque range: 2.5 Nm to 5.5 Nm

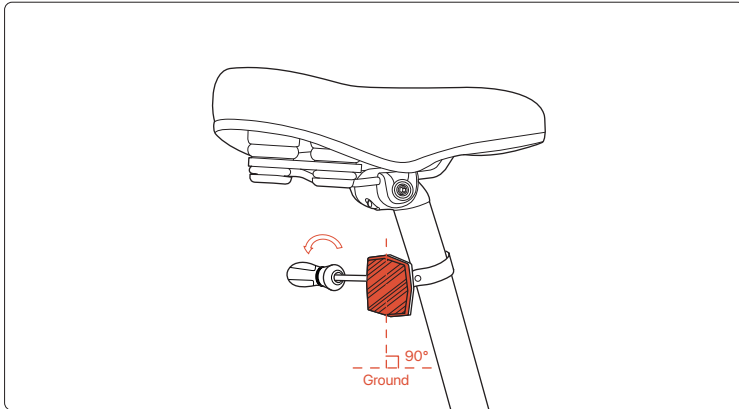


Step 7 Bell and Front/Rear Reflector

Assembly and Installation

3. Take out the rear reflector from the ACCESSORIES box. Remove the bolt on the rear reflector mount and install the rear reflector with a Phillips screwdriver. Then adjust the rear reflector to an appropriate angle and tighten the bolt. Torque range: 2.5 Nm to 5.5 Nm

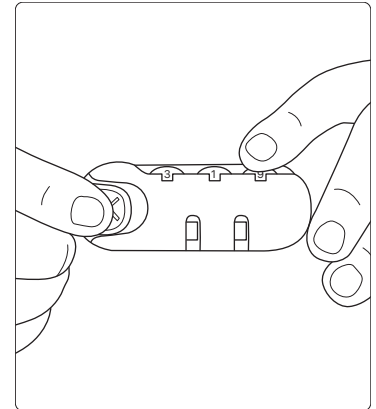
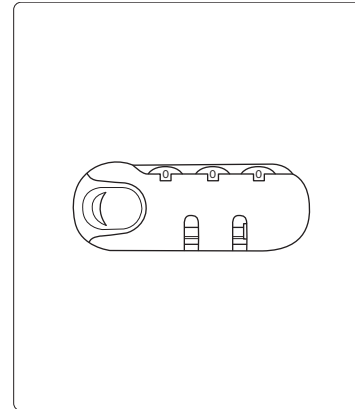
▲ NOTE You can position the bell and reflectors according to your preference.



Assembly and Installation

Step 8 Storage Bag

1. Set the password for the storage bag. The initial password is "000". Press and hold the switch and pull it outwards to unlock the password lock, modify the storage bag's password as desired, and then release the switch to save the settings.
2. Install the storage bag into the reserved mounting position behind the seat tube.

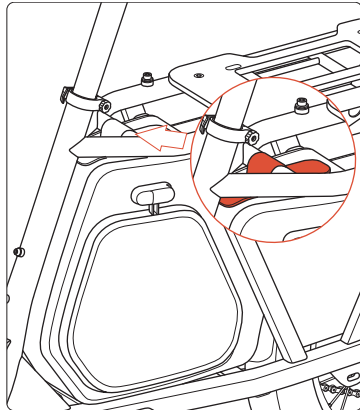
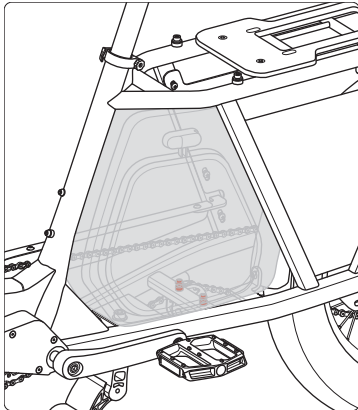


Step 8 Storage Bag

Assembly and Installation

3. Thread the bag mounting bolts into the mounting holes from the inside of the storage bag. Tighten the two bolts with the M5 Allen key. Torque range: 5 Nm to 7 Nm
4. Firmly attach the storage bag to the seatstay brace with the velcro at the top of the bag.

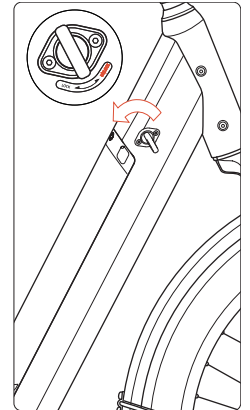
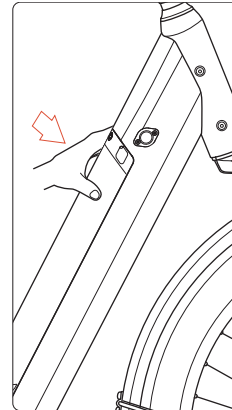
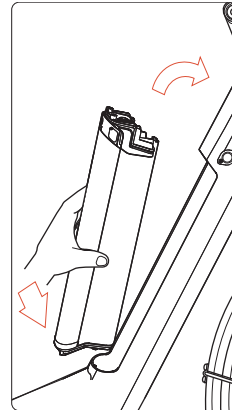
▲ **NOTE** If you need to remove the storage bag, simply follow the installation steps in reverse order.



Assembly and Installation

Step 9 Battery

1. Remove the battery protection foam and insert the battery into the down tube.
2. Push down on the battery to ensure the battery is located in place.
3. Remove the key from the handlebar area. Insert the key into the keyport and turn it counterclockwise to check if the battery can be released.

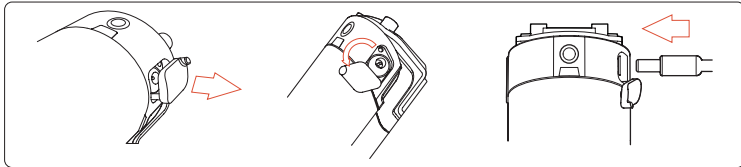


Charging

Before Riding

1. The battery can be charged in the bike; the charging port is shown in the illustration below. Make sure the bike is powered off before charging.
2. The battery can also be charged out of the bike. Make sure the battery is placed on a flat, stable, and hard surface. Plug the DC power cord (barrel connector) into the port.
3. Plug the charger into the power outlet. Charging should initiate and will be indicated by the LED indicator on the charger turning red.

▲ **NOTE** The Velotric Packer is equipped with a charger mount. It is recommended to mount the charger to a wall near the power outlet for easy access and storage of the charger, as shown in the illustration below.



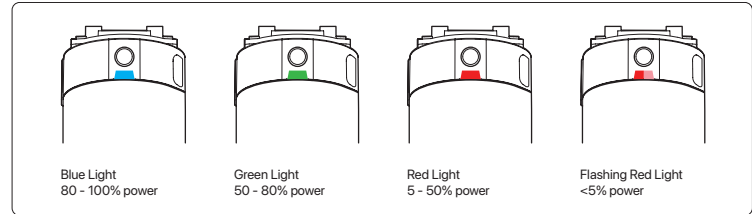
Charging

Before Riding

4. The LED indicator will turn green when the battery is fully charged. Unplug the charger first before pulling out the cord from the battery.

▲ **Caution**

1. Always charge your battery at temperatures between 14°F to 104°F (5°C to 40°C), but preferably at room temperature ranges from 50°F to 86°F (10°C to 30°C).
2. When the ambient temperature is below 32°F (0°C) or above 104°F (40°C), your Velotric bike battery will no longer charge. Keep the battery in an environment with an ambient temperature of 50°F to 77°F (10°C to 25°C) for at least 1 hour. The battery will charge again when the battery temperature reaches 50°F (10°C).

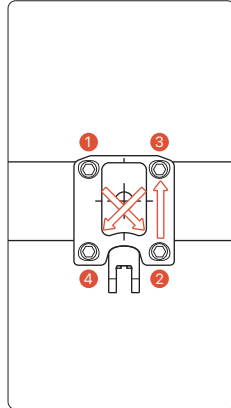
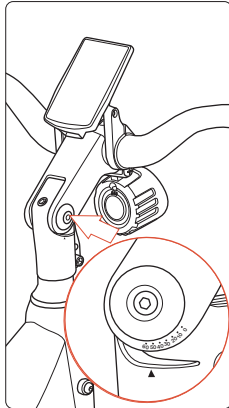
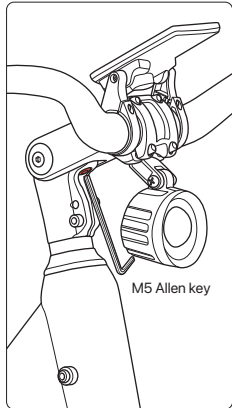


Handlebar Angle Adjustment

Before Riding

1. Loosen the bottom stem angle adjustment bolt with the M5 Allen key.
2. Adjust the stem to an appropriate angle. Tighten the side stem angle adjustment bolts (Torque range: 3 Nm to 5 Nm). Tighten the bottom stem angle adjustment bolt to 14 Nm.
3. Loosen the four faceplate bolts with the M4 Allen key by a quarter turn, following an "X" pattern.

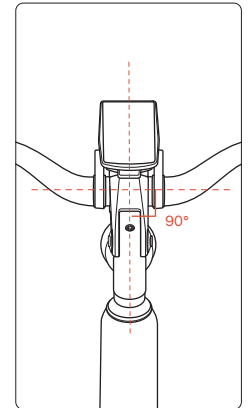
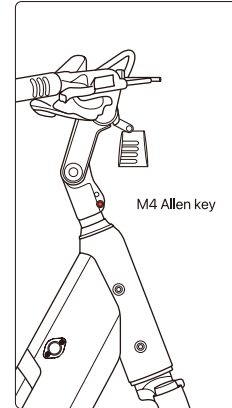
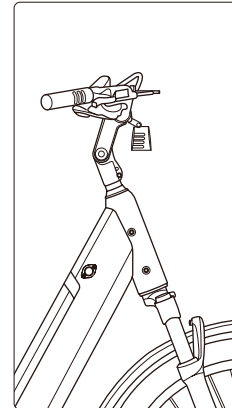
- ▲ NOTE**
1. Ensure the handlebar is perpendicular to the front wheel.
 2. It is recommended to adjust the stem angle to about 52 degrees.



Handlebar Angle Adjustment

Before Riding

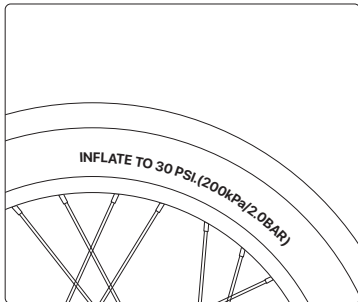
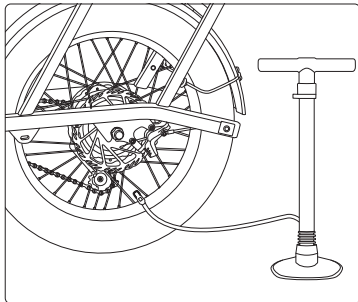
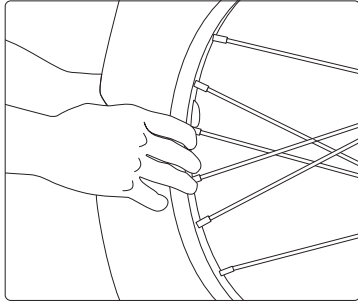
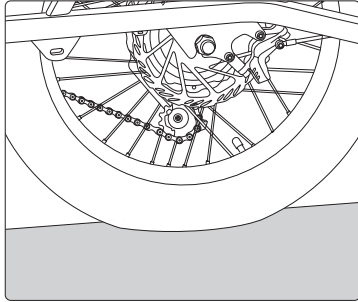
4. Adjust the handlebar to a comfortable riding angle. Tighten each of the faceplate bolts by a quarter turn, following an "X" pattern. Torque range: 6 Nm to 8 Nm
5. Loosen the stem clamp bolts with the M4 Allen key.
6. Adjust the stem to make the handlebar perpendicular to the front wheel.
7. Tighten the two stem clamp bolts with the M4 Allen key. Torque range: 8 Nm to 10 Nm



Tire Pressure Check

Before Riding

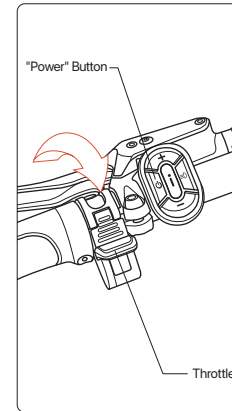
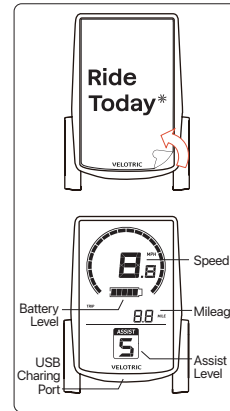
Check your tires before every ride. If the tires are soft or spongy, pump them up to the recommended PSI indicated on the tire sidewall.



Start Riding

Features and Test

1. Peel the protective film off the display.
2. Press and hold the "Power" button for 3 seconds to power the bike on or off.
3. Our system provides 5 levels of pedal assistance (1 = lowest, 5 = highest), so you can adapt the power output according to your riding needs. Level 0 indicates no pedal assistance.



Assist level 1
Eco Mode: Minimal power output for maximum battery efficiency.

Assist level 2
Tour Mode: Low power output for riding long distances.

Assist level 3
Normal Mode: Medium power output for city commuting.

Assist level 4
Sport Mode: Strong power output for active riding.

Assist level 5
Turbo Mode: Maximum power output for extreme riding.

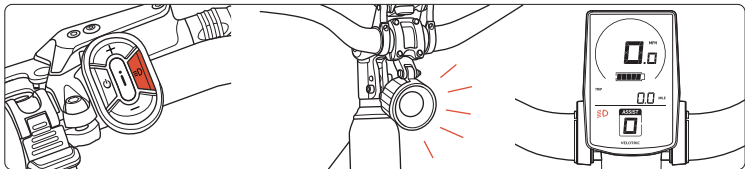
Features and Test

Start Riding

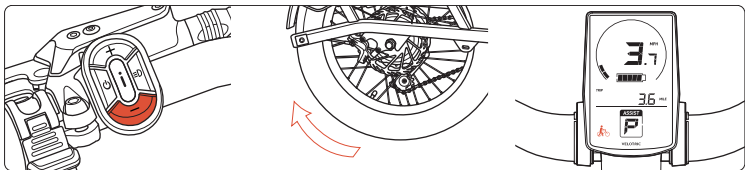
There is a 5V/500mA USB Type-A charging port at the bottom of the Display for users to charge their phones while riding.

Button function test:

1. Press and hold the "Power" button for 3 seconds to power the bike on or off.
2. Press the "Light" button to turn the front light on or off. The display will dim automatically when the front light is on.



3. Press the "+" or "-" button to shift the pedal assist level up or down.
4. Press and hold the "-" button to activate the walk mode at 2.9mph(4.6km/h). Release the button to exit the walk mode and end power assistance.



5. Press and hold the "i" button to enter the general setting menu.

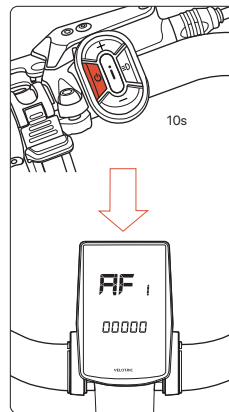
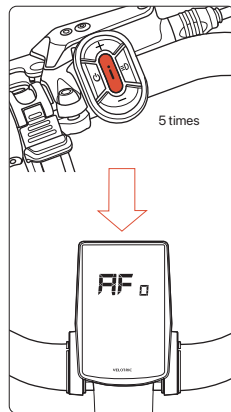
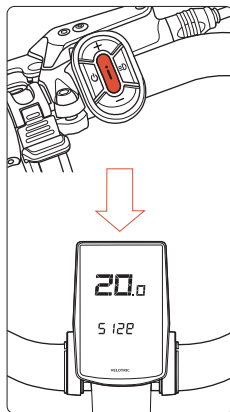
Start Riding

Find My

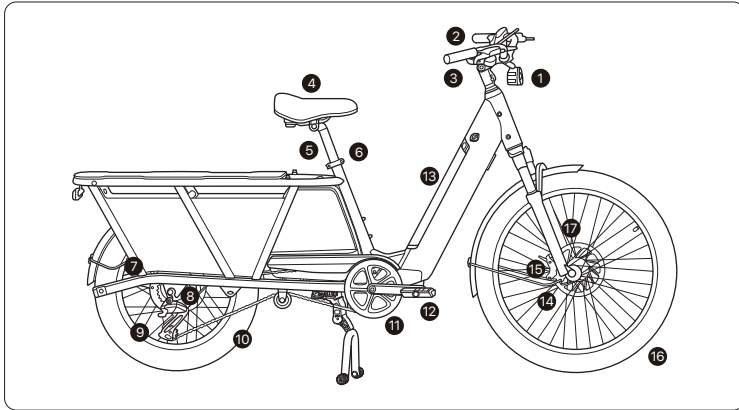
Pair with Find My:

1. Press and hold the "i" button to enter the general setting menu
2. Press the "i" button 5 times to enter "AF 0".
3. Press and hold the "Power" button for 10 seconds to enter "AF 1", indicating that the bike is ready to pair.

Open Find My app on your iOS device and follow the instructions in [*Go 1 & Packer 1 Apple Find My Manual.*](#)

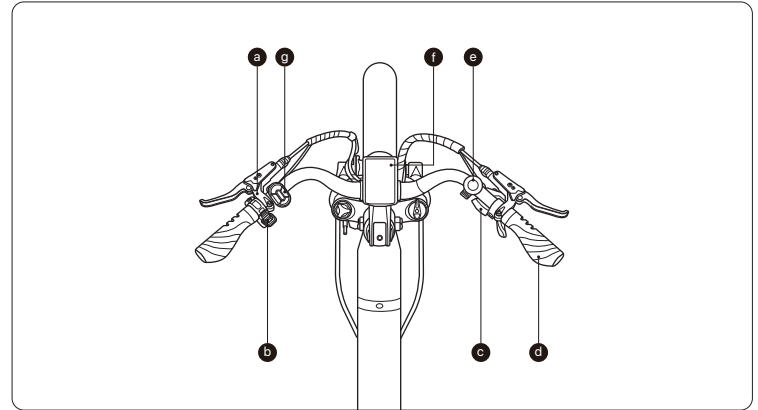


Bike Diagram



- | | | |
|------------------|-------------------|--------------------|
| 1 Front Light | 7 Motor | 13 Battery |
| 2 Handlebar | 8 Cassette | 14 Brake Rotor |
| 3 Stem | 9 Rear Derailleur | 15 Brake Caliper |
| 4 Saddle | 10 Chain | 16 Tire |
| 5 Seatpost | 11 Crankset | 17 Suspension Fork |
| 6 Seatpost Clamp | 12 Pedal | |

Bike Diagram



- | | |
|---------------|-----------|
| a Brake Lever | e Bell |
| b Throttle | f Display |
| c Shifter | g Remote |
| d Grip | |

Enjoy your sweet ride!

If you wanna know your bike better, refer to
Velotric Go 1 & Velotric Packer 1
Owner's Manual.

Define
Your
Adventure.

VELOTRIC

Contact

Website: www.velotricbike.com

E-mail: help@velotricbike.com

